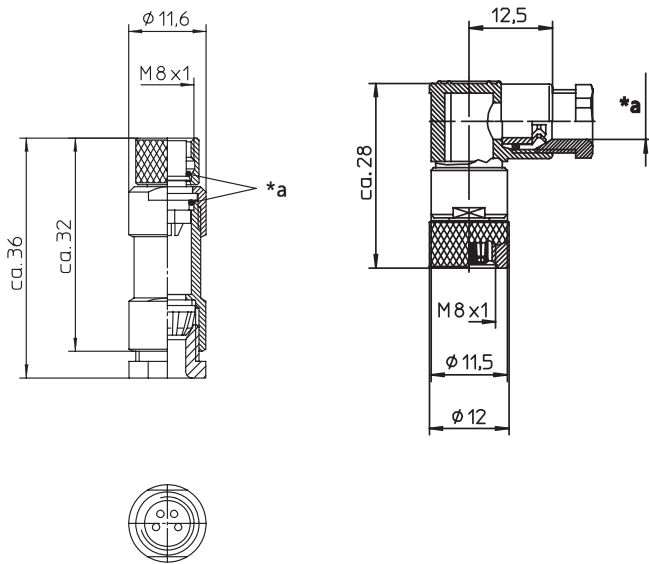


RKMC / RKMCW

3- and 4-Pole

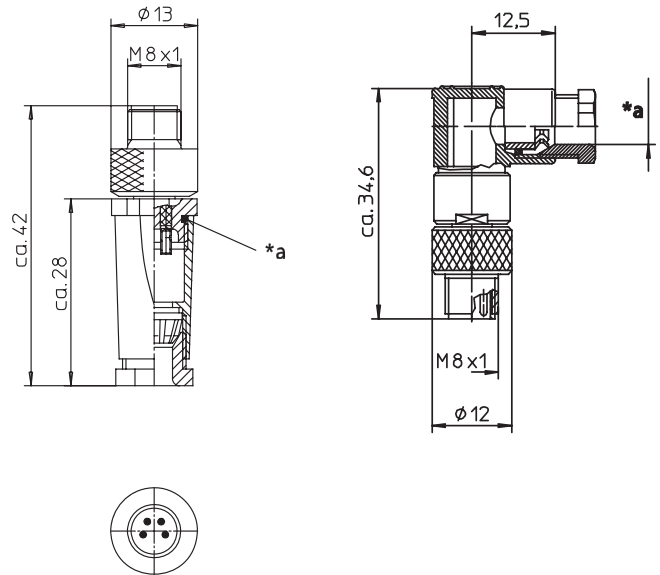
Pico (M8) Field Attachable Connector, Female, Straight and Right Angle, 3- and 4-pole, 0.34mm² max with solder termination, IP 67 and NEMA 6P rated.



RSMC / RSMCW

3- and 4-Pole

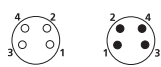
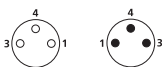
Pico (M8) Field Attachable Connector, Male, Straight and Right Angle, 3- and 4-Pole, 0.34mm² max with solder termination, IP 67 and NEMA 6P rated.



*a O-ring

Pin Assignment

Pico (M8)



Technical Data	
Degree of protection	IP 67 / NEMA 6P
Operating temperature range	-25°C (-13°F) / +80°C (+176°F)
Mechanical	
Housing	Brass, nickel-plated
Insert	PA
Contact	Brass, pre-nickeled and 0.8 microns gold-plated
Coupling nut	Brass, nickel-plated
Electrical	
Contact resistance	≤5mΩ
Voltage rating	3 Poles: 60 V 4 Poles: 30 V
Current rating	4 A

Mini

Micro (M12)

Micro (1/2"-20)

Pico (M8)

Din Valve Connectors

Part Number	Cable Diameter Range	Poles	
RKMC 3	RKMCW 3	.138" - .197" (3.5 - 5.0 mm)	3
RSMC 3	RSMCW 3	.138" - .197" (3.5 - 5.0 mm)	3
RKMC 4	RKMCW 4	.138" - .197" (3.5 - 5.0 mm)	4
RSMC 4	RSMCW 4	.138" - .197" (3.5 - 5.0 mm)	4

References